



JACE 8000

COMPACT, EMBEDDED IoT CONTROLLER/SERVER PLATFORM

PRODUCT DEFINITION

The JACE® 8000 is a compact, embedded IoT (Internet of Things) controller and server platform for connecting multiple and diverse devices and sub-systems. With internet connectivity and web serving capability, the JACE 8000 controller provides integrated control, supervision, data logging, alarming, scheduling and network management. It streams data and rich graphical displays to a standard web browser via an Ethernet, or remotely over the internet. VYKON Enterprise Security is an application that runs within the Niagara Framework® on the JACE 8000. VYKON Integrated Analytics is a data analytics extension to the Niagara Framework available on JACE 8000 controllers. The licensing model for the JACE 8000 controller is simplified and features standard drivers, along with optional IO and field bus expansion modules for ultimate flexibility and expandability. The JACE 8000 controller operates with Niagara 4, the latest version of the Niagara Framework, for optimum performance. In larger facilities, multi-building applications and large-scale control system integrations, Niagara 4 Supervisors can be used with JACE 8000 controllers to aggregate information, including alarms, and historical and real-time data, to create a single, unified application

Specifications

- TI AM3352: 1000MHz Arm® Cortex®-A8
- 1GB DDR3 SDRAM
- Removable micro-SD card with 4GB flash total storage/2GB user storage
- USB type A connector
- Back-up and restore support
 - (2) isolated RS-485 with selectable bias and termination
 - (2) 10/100MB Ethernet ports
- Secure boot
- Supply requirements:
 - 24VAC rated at 24VA minimum, or 24VDC rated at 1A (24W) minimum.
- Runs Niagara 4: 4.1 and later
- VYKON Integrated Analytics 2.1 is compatible with Niagara 4.4 and later
- Real-time clock
- Battery less



sales@matrix-controls.net



www.matrix-controls.net



JACE 8000

COMPACT, EMBEDDED IoT CONTROLLER/SERVER PLATFORM

ORDERING

CORE SOFTWARE

NC-8005	JACE 8000 Supports up to 5 devices or 250 points
NC-8010	JACE 8000 Supports up to 10 devices or 500 points
NC-8025	JACE 8000 Supports up to 25 devices or 1250 points
NC-8100	JACE 8000 Supports up to 100 devices or 5000 points
NC-8200	JACE 8000 Supports up to 200 devices or 10000 points

DEVICE UPGRADE

DEVICE-5	Add 5 Device/250 Point conjunction with initial Core software
DEVICE-10	Add 10 Device/500 Point conjunction with initial Core software
DEVICE-25	Add 25 Device/1250 Point conjunction with initial Core software
DEVICE-50	Add 50 Device/2500 Point conjunction with initial Core software

HARDWARE OPTION

NPB-8000-232	Add-on single port RS-232 module
NPB-8000-2X-485	Add-on dual port RS-485 module
NPB-8000-LON	Add-on single port LON FTT10A module
WPM-8000	100-240VAC, 50/60 Hz. Wall Adapter

CORE SOFTWARE MAINTENANCE

SMA-8XXX-1YR-INIT	Initial 18 month maintenance with initial Core software
SMA-8XXX-3YR	3 year maintenance
SMA-8XXX-5YR	5 year maintenance

Specifications (continue)

Environmental Specifications

- Operating temperature: -20 to 60°C (-4 to 140°F)
- Storage temperature: -40 to 85°C (-40 to 185°F)
- Humidity: 5 to 95%, non-condensing

- Shipping & vibration:
- ASTM D4169, Assurance Level II

- MTTF: 10 years+

Agency Certifications

- UL 916
- CE EN 61326-1
- RCM
- FCC Part 15 Subpart B, Class B
- FCC Part 15 Subpart
- C C-UL listed to Canadian Standards Association (CSA) C22.2 No. 205-M1983 "Signal Equipment"
- 1999/5/EC R&TTE Directive
- CCC
- SRRC
- RSS
- RoHS



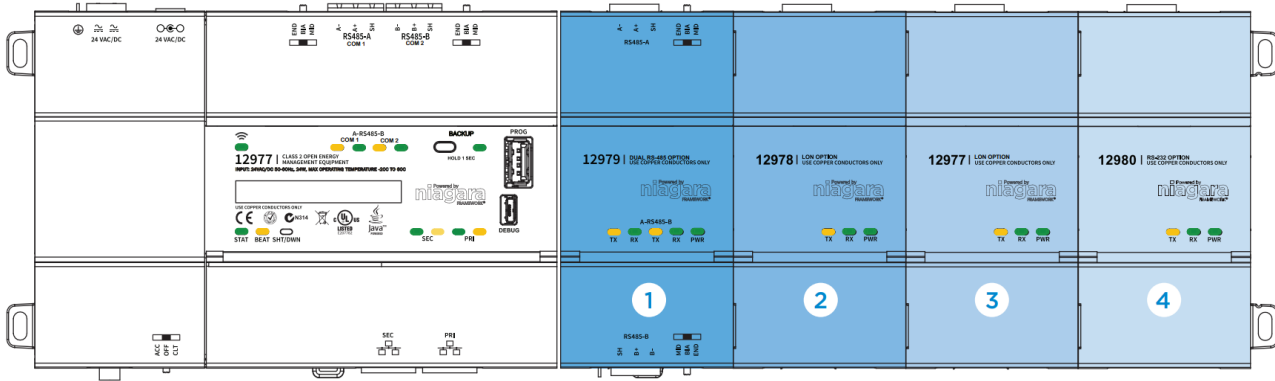
sales@matrix-controls.net



www.matrix-controls.net

MOUNTING AND CONFIGURATION

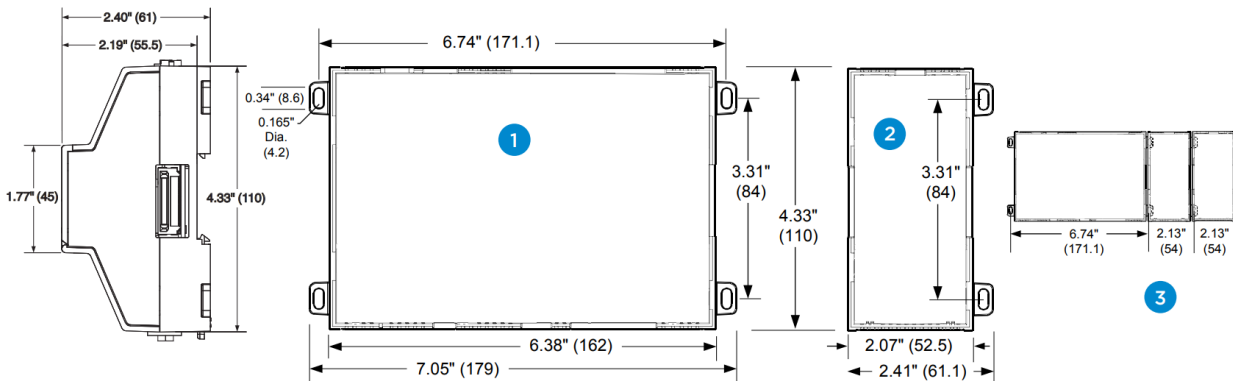
JACE® 8000 CONTROLLER MOUNTING & DIMENSIONS



MAXIMUM COMBINATION

Expandability is dependent on the type of expansion module used

EXPANSION 1	EXPANSION 2	EXPANSION 3	EXPANSION 4
232 or LON	232 or LON	232 or LON	232 or LON
485	232 or LON	232 or LON	232 or LON
485	485	232 or LON	
485	485		



- 1 JACE 8000 controller. Allow at least 1.5" (38mm) clearance around all sides
- 2 Expansion module. Up to four (4) may be used. See "Expansion Module and IO Configurations"

- 3 Distances between center of tabs from one unit to another unit



sales@matrix-controls.net



www.matrix-controls.net